

CCS Technical Documentation

RH-14 Series Transceivers

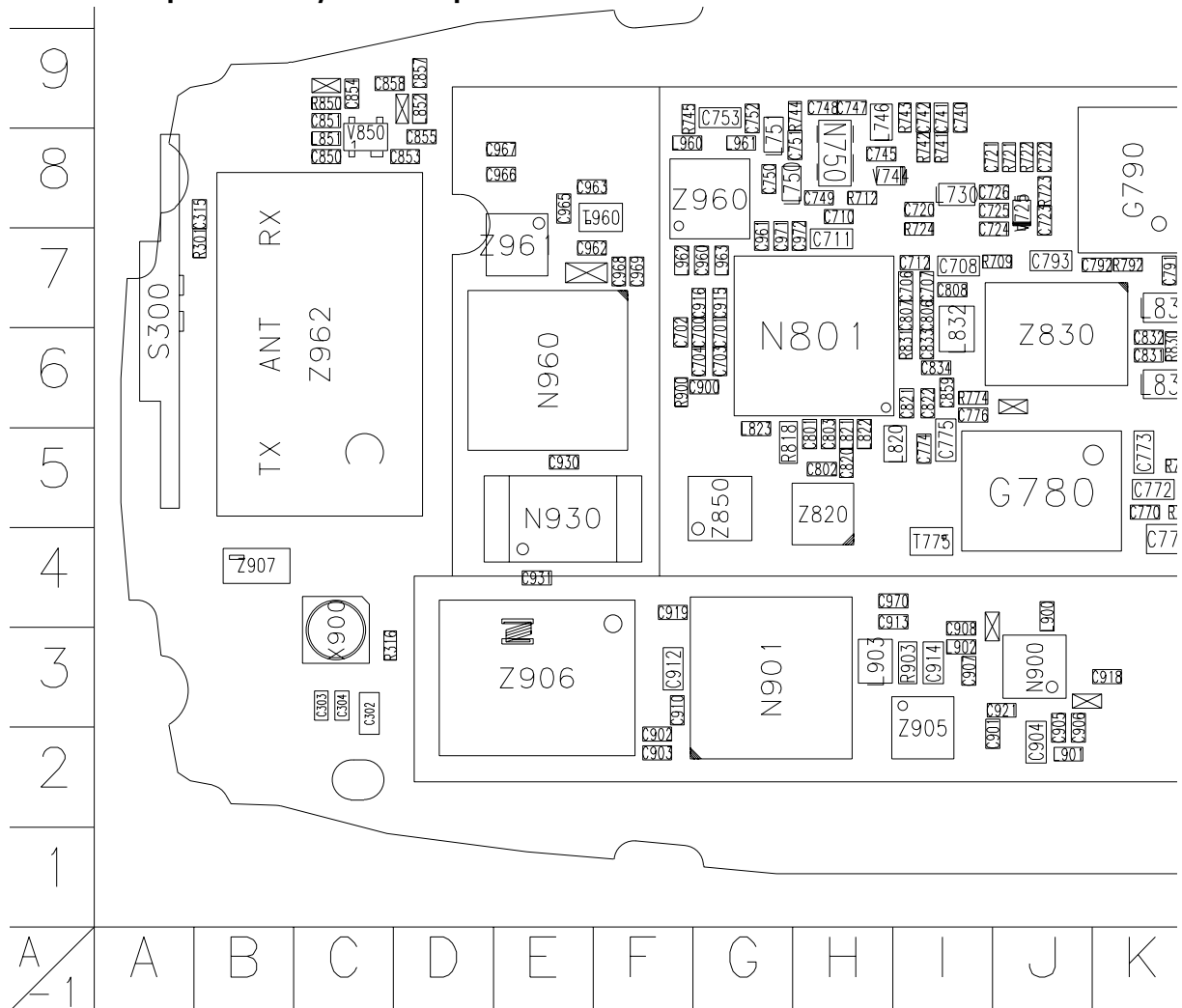
Parts Lists

Contents

| | Page No |
|----------------------------------------------------|----------------|
| Component Layout..... | 5 |
| 3560 Component Layout - Top | 5 |
| Exploded Views | 7 |
| Main Assembly | 7 |
| Assembly Parts List | 7 |
| Internal Module Assembly Structure | 8 |
| Assembly Parts List | 8 |
| Parts List | 9 |
| RH-14 (3560) — EDMS Issue 2.11 Code: 0202068 | 9 |

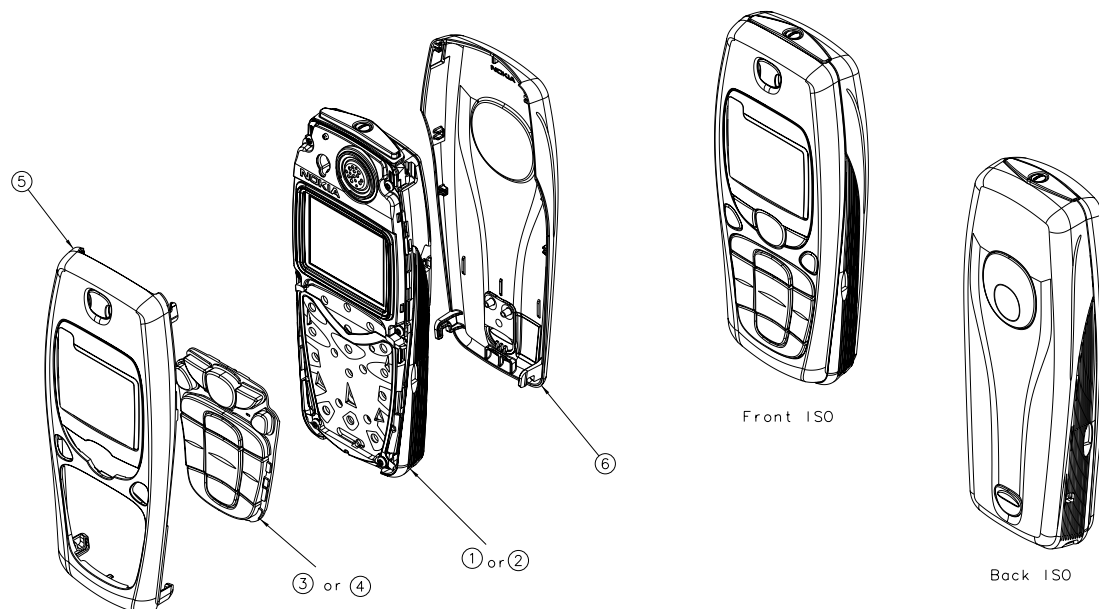
Component Layout

3560 Component Layout - Top



Exploded Views

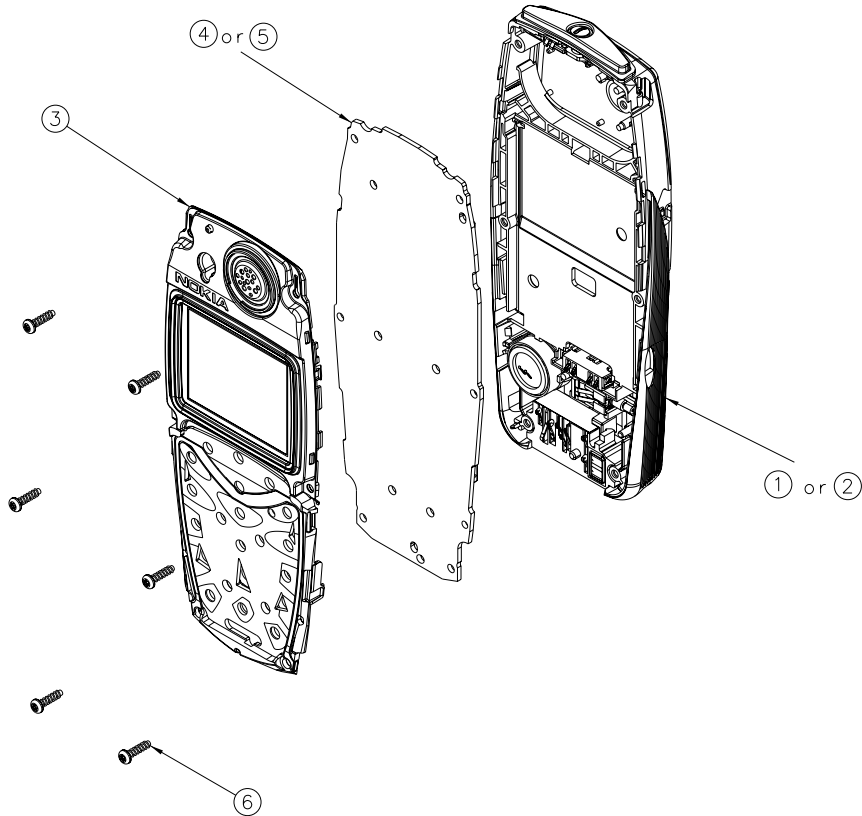
Main Assembly



Assembly Parts List

| Item No. | Qty. | Part | Code | Value |
|----------|------|--------------------------------|---------|----------|
| 1 | 1 | (INTERNAL) MODULE DUAL BAND | 0510315 | DMC06652 |
| 2 | 1 | (Internal) Module Single Band | 0510318 | DMC06652 |
| 3 | 1 | Keymat Assembly - Latin | 9790837 | DMC06537 |
| 4 | 1 | Keymat Assembly - Hebrew | 9790846 | DMC05982 |
| 5 | 1 | A-cover Assembly - Pearl White | 9491237 | DMC06073 |
| 6 | 1 | B-cover Assembly - Pearl White | 9491242 | DMC06032 |

Internal Module Assembly Structure



Assembly Parts List

| Item No. | Qty. | Part | Code | Value |
|----------|------|-------------------------------------|----------------|-----------------|
| 1 | 1 | D-COVER ASSEMBLY - DUAL BAND | 9491055 | DMC05767 |
| 2 | 1 | D-cover Assembly - single band | 9491109 | DMC05767 |
| 3 | 1 | Color Display/UI Assembly | 4850277 | DMC05329 |
| 4 | 1 | PWB - DUAL BAND | 0202068 | |
| 5 | 1 | PWB - single band | 0202092 | |
| 6 | 6 | Screws 1.8 x 7 mm | 6290107 | DMD05791 |

Parts List

RH-14 (3560) – EDMS Issue 2.11 Code: 0202068

| Item | Code | Side | X | Y | Description | Value | Type |
|------|---------|------|---|---|------------------|-----------------|------|
| R100 | 1430788 | Top | P | 5 | chip res 0W06 | 22K J | 0402 |
| R101 | 1620063 | Top | N | 5 | res network 0W06 | 4X100R J | 0804 |
| R102 | 1430812 | Top | O | 6 | chip res 0W06 | 220K J | 0402 |
| R150 | 1430754 | Top | Q | 6 | chip res 0W06 | 1K0 J | 0402 |
| R151 | 1430754 | Top | Q | 6 | chip res 0W06 | 1K0 J | 0402 |
| R152 | 1620031 | Top | R | 7 | res network 0W06 | 2X1K0 J | 0404 |
| R153 | 1430754 | Top | Q | 7 | chip res 0W06 | 1K0 J | 0402 |
| R154 | 1430778 | Top | U | 5 | chip res 0W06 | 10K J | 0402 |
| R156 | 1430762 | Top | Q | 8 | chip res 0W06 | 2K2 J | 0402 |
| R157 | 1620035 | Top | M | 8 | res network 0W06 | 2X10R J | 0404 |
| R159 | 1430788 | Top | Q | 7 | chip res 0W06 | 22K J | 0402 |
| R162 | 1430762 | Top | R | 7 | chip res 0W06 | 2K2 J | 0402 |
| R163 | 1825033 | Top | T | 5 | chip varistor | VWM14V VC46V | 0402 |
| R164 | 1430796 | Top | Q | 7 | chip res 0W06 | 47K J | 0402 |
| R165 | 1430710 | Top | Q | 9 | chip res 0W06 | 22R J | 0402 |
| R166 | 1430762 | Top | R | 7 | chip res 0W06 | 2K2 J | 0402 |
| R175 | 1430710 | Top | Q | 9 | chip res 0W06 | 22R J | 0402 |
| R181 | 1430770 | Top | O | 5 | chip res 0W06 | 4K7 J | 0402 |
| R182 | 1430788 | Top | P | 5 | chip res 0W06 | 22K J | 0402 |
| R183 | 1430770 | Top | O | 5 | chip res 0W06 | 4K7 J | 0402 |
| R184 | 1430778 | Top | Q | 5 | chip res 0W06 | 10K J | 0402 |
| R200 | 1419003 | Top | R | 9 | chip res 0W5 | 0R22 J 200 PPM | 1210 |
| R202 | 1430087 | Top | Q | 6 | chip res 0W06 | 100K J | 0603 |
| R203 | 1430087 | Top | Q | 6 | chip res 0W06 | 100K J | 0603 |
| R204 | 1430804 | Top | P | 6 | chip res 0W06 | 100K J | 0402 |
| R205 | 1430770 | Top | P | 6 | chip res 0W06 | 4K7 J | 0402 |
| R206 | 1430804 | Top | Q | 7 | chip res 0W06 | 100K J | 0402 |
| R207 | 1430770 | Top | P | 6 | chip res 0W06 | 4K7 J | 0402 |
| R208 | 1430778 | Top | Q | 8 | chip res 0W06 | 10K J | 0402 |

| Item | Code | Side | X | Y | Description | Value | Type |
|------|---------|------|---|---|-----------------|----------------|------|
| R209 | 1430804 | Top | Q | 8 | chip res 0W06 | 100K J | 0402 |
| R215 | 1430087 | Top | Q | 6 | chip res 0W06 | 100K J | 0603 |
| R221 | 1430268 | Top | M | 6 | chip res 0W06 | 27K F 100 PPM | 0603 |
| R237 | 1430690 | Top | M | 6 | chip res jumper | 0R0 | 0402 |
| R301 | 1430770 | Top | B | 7 | chip res 0W06 | 4K7 J | 0402 |
| R310 | 1430754 | Top | N | 5 | chip res 0W06 | 1K0 J | 0402 |
| R311 | 1430700 | Top | O | 5 | chip res 0W06 | 10R J | 0402 |
| R316 | 1430778 | Top | C | 3 | chip res 0W06 | 10K J | 0402 |
| R320 | 1430117 | Top | M | 6 | chip res 0W06 | 100R F 200 PPM | 0402 |
| R450 | 1430803 | Top | N | 5 | chip res 0W06 | 47K7 F 200 PPM | 0402 |
| R709 | 1430700 | Top | J | 7 | chip res 0W06 | 10R J | 0402 |
| R712 | 1430700 | Top | H | 8 | chip res 0W06 | 10R J | 0402 |
| R721 | 1430774 | Top | J | 8 | chip res 0W06 | 6K8 J | 0402 |
| R722 | 1430772 | Top | J | 8 | chip res 0W06 | 5K6 J | 0402 |
| R723 | 1430764 | Top | J | 8 | chip res 0W06 | 3K3 J | 0402 |
| R724 | 1430691 | Top | I | 7 | chip res 0W06 | 2R2 J | 0402 |
| R741 | 1430770 | Top | I | 8 | chip res 0W06 | 4K7 J | 0402 |
| R742 | 1430772 | Top | I | 8 | chip res 0W06 | 5K6 J | 0402 |
| R743 | 1430764 | Top | I | 9 | chip res 0W06 | 3K3 J | 0402 |
| R744 | 1430744 | Top | H | 9 | chip res 0W06 | 470R J | 0402 |
| R745 | 1430700 | Top | F | 9 | chip res 0W06 | 10R J | 0402 |
| R771 | 1430786 | Top | K | 5 | chip res 0W06 | 18K J | 0402 |
| R772 | 1430726 | Top | K | 5 | chip res 0W06 | 100R J | 0402 |
| R773 | 1430700 | Top | K | 5 | chip res 0W06 | 10R J | 0402 |
| R774 | 1430700 | Top | I | 6 | chip res 0W06 | 10R J | 0402 |
| R791 | 1430778 | Top | K | 7 | chip res 0W06 | 10K J | 0402 |
| R792 | 1430700 | Top | K | 7 | chip res 0W06 | 10R J | 0402 |
| R818 | 1430268 | Top | G | 5 | chip res 0W06 | 27K F 100 PPM | 0603 |
| R830 | 1430832 | Top | K | 6 | chip res 0W06 | 2K7 J | 0402 |
| R831 | 1430734 | Top | I | 6 | chip res 0W06 | 220R J | 0402 |
| R850 | 1430788 | Top | C | 9 | chip res 0W06 | 22K J | 0402 |
| R900 | 1430718 | Top | F | 6 | chip res 0W06 | 47R J | 0402 |

| Item | Code | Side | X | Y | Description | Value | Type |
|------|---------|------|---|---|---------------|------------|------|
| R903 | 1430169 | Top | I | 3 | chip res 0W06 | 56R J | 0603 |
| C100 | 2320536 | Top | S | 6 | chip cap NPO | 10P J 50V | 0402 |
| C102 | 2320536 | Top | S | 6 | chip cap NPO | 10P J 50V | 0402 |
| C105 | 2320744 | Top | U | 7 | chip cap X7R | 1N0 K 50V | 0402 |
| C150 | 2320544 | Top | T | 6 | chip cap NPO | 22P J 50V | 0402 |
| C151 | 2320783 | Top | Q | 7 | chip cap X7R | 33N K 10V | 0402 |
| C152 | 2320783 | Top | Q | 7 | chip cap X7R | 33N K 10V | 0402 |
| C153 | 2320546 | Top | R | 7 | chip cap NPO | 27P J 50V | 0402 |
| C155 | 2320805 | Top | Q | 7 | chip cap X5R | 100N K 10V | 0402 |
| C156 | 2320805 | Top | Q | 7 | chip cap X5R | 100N K 10V | 0402 |
| C157 | 2320560 | Top | Q | 8 | chip cap X7R | 680P J 50V | 0402 |
| C158 | 2320544 | Top | T | 5 | chip cap NPO | 22P J 50V | 0402 |
| C159 | 2320560 | Top | Q | 7 | chip cap X7R | 680P J 50V | 0402 |
| C160 | 2320481 | Top | T | 5 | chip cap X5R | 1U K 6V3 | 0603 |
| C161 | 2320744 | Top | Q | 6 | chip cap X7R | 1N0 K 50V | 0402 |
| C162 | 2320744 | Top | U | 4 | chip cap X7R | 1N0 K 50V | 0402 |
| C163 | 2320744 | Top | R | 7 | chip cap X7R | 1N0 K 50V | 0402 |
| C164 | 2320744 | Top | T | 5 | chip cap X7R | 1N0 K 50V | 0402 |
| C165 | 2320546 | Top | R | 7 | chip cap NPO | 27P J 50V | 0402 |
| C166 | 2312201 | Top | Q | 9 | chip cap | | |
| C168 | 2320544 | Top | U | 4 | chip cap NPO | 22P J 50V | 0402 |
| C169 | 2320805 | Top | Q | 8 | chip cap X5R | 100N K 10V | 0402 |
| C170 | 2320546 | Top | R | 7 | chip cap NPO | 27P J 50V | 0402 |
| C172 | 2320546 | Top | M | 9 | chip cap NPO | 27P J 50V | 0402 |
| C173 | 2320546 | Top | L | 9 | chip cap NPO | 27P J 50V | 0402 |
| C174 | 2320544 | Top | T | 4 | chip cap NPO | 22P J 50V | 0402 |
| C175 | 2320744 | Top | T | 5 | chip cap X7R | 1N0 K 50V | 0402 |
| C176 | 2320544 | Top | T | 5 | chip cap NPO | 22P J 50V | 0402 |
| C177 | 2320544 | Top | T | 5 | chip cap NPO | 22P J 50V | 0402 |
| C179 | 2320805 | Top | Q | 5 | chip cap X5R | 100N K 10V | 0402 |
| C180 | 2320805 | Top | O | 5 | chip cap X5R | 100N K 10V | 0402 |
| C181 | 2320481 | Top | P | 5 | chip cap X5R | 1U K 6V3 | 0603 |

| Item | Code | Side | X | Y | Description | Value | Type |
|------|---------|------|---|---|--------------|------------|------|
| C182 | 2320481 | Top | P | 5 | chip cap X5R | 1U K 6V3 | 0603 |
| C183 | 2320582 | Top | P | 5 | chip cap X7R | 820P J 50V | 0402 |
| C184 | 2320805 | Top | O | 5 | chip cap X5R | 100N K 10V | 0402 |
| C201 | 2320481 | Top | N | 9 | chip cap X5R | 1U K 6V3 | 0603 |
| C202 | 2320778 | Top | R | 8 | chip cap X7R | 10N K 16V | 0402 |
| C204 | 2320481 | Top | O | 9 | chip cap X5R | 1U K 6V3 | 0603 |
| C205 | 2320481 | Top | O | 9 | chip cap X5R | 1U K 6V3 | 0603 |
| C206 | 2320481 | Top | P | 9 | chip cap X5R | 1U K 6V3 | 0603 |
| C207 | 2320481 | Top | Q | 6 | chip cap X5R | 1U K 6V3 | 0603 |
| C208 | 2320481 | Top | M | 9 | chip cap X5R | 1U K 6V3 | 0603 |
| C209 | 2320536 | Top | P | 9 | chip cap NPO | 10P J 50V | 0402 |
| C210 | 2320536 | Top | P | 8 | chip cap NPO | 10P J 50V | 0402 |
| C211 | 2320481 | Top | P | 9 | chip cap X5R | 1U K 6V3 | 0603 |
| C212 | 2320481 | Top | P | 9 | chip cap X5R | 1U K 6V3 | 0603 |
| C213 | 2320481 | Top | O | 9 | chip cap X5R | 1U K 6V3 | 0603 |
| C215 | 2320481 | Top | Q | 7 | chip cap X5R | 1U K 6V3 | 0603 |
| C216 | 2320481 | Top | Q | 7 | chip cap X5R | 1U K 6V3 | 0603 |
| C217 | 2320778 | Top | P | 6 | chip cap X7R | 10N K 16V | 0402 |
| C218 | 2320805 | Top | O | 6 | chip cap X5R | 100N K 10V | 0402 |
| C219 | 2320481 | Top | N | 9 | chip cap X5R | 1U K 6V3 | 0603 |
| C220 | 2320744 | Top | P | 6 | chip cap X7R | 1N0 K 50V | 0402 |
| C221 | 2320481 | Top | M | 9 | chip cap X5R | 1U K 6V3 | 0603 |
| C222 | 2320481 | Top | M | 8 | chip cap X5R | 1U K 6V3 | 0603 |
| C223 | 2320481 | Top | M | 8 | chip cap X5R | 1U K 6V3 | 0603 |
| C224 | 2320481 | Top | M | 8 | chip cap X5R | 1U K 6V3 | 0603 |
| C225 | 2320481 | Top | M | 8 | chip cap X5R | 1U K 6V3 | 0603 |
| C226 | 2320481 | Top | M | 7 | chip cap X5R | 1U K 6V3 | 0603 |
| C227 | 2320544 | Top | Q | 8 | chip cap NPO | 22P J 50V | 0402 |
| C228 | 2320481 | Top | M | 6 | chip cap X5R | 1U K 6V3 | 0603 |
| C229 | 2320481 | Top | M | 7 | chip cap X5R | 1U K 6V3 | 0603 |
| C230 | 2320778 | Top | P | 6 | chip cap X7R | 10N K 16V | 0402 |
| C231 | 2320481 | Top | M | 7 | chip cap X5R | 1U K 6V3 | 0603 |

| Item | Code | Side | X | Y | Description | Value | Type |
|------|---------|------|---|---|--------------|------------|------|
| C232 | 2320481 | Top | M | 7 | chip cap X5R | 1U K 6V3 | 0603 |
| C233 | 2320481 | Top | M | 9 | chip cap X5R | 1U K 6V3 | 0603 |
| C234 | 2320481 | Top | M | 7 | chip cap X5R | 1U K 6V3 | 0603 |
| C235 | 2320805 | Top | Q | 8 | chip cap X5R | 100N K 10V | 0402 |
| C236 | 2320805 | Top | N | 6 | chip cap X5R | 100N K 10V | 0402 |
| C237 | 2320805 | Top | M | 6 | chip cap X5R | 100N K 10V | 0402 |
| C238 | 2320491 | Top | N | 9 | chip cap X7R | 220N K 10V | 0603 |
| C239 | 2320805 | Top | P | 6 | chip cap X5R | 100N K 10V | 0402 |
| C245 | 2320481 | Top | M | 7 | chip cap X5R | 1U K 6V3 | 0603 |
| C255 | 2320778 | Top | P | 6 | chip cap X7R | 10N K 16V | 0402 |
| C261 | 2312243 | Top | M | 8 | chip cap X5R | 4U7 K 6V3 | 0805 |
| C262 | 2312243 | Top | O | 9 | chip cap X5R | 4U7 K 6V3 | 0805 |
| C264 | 2320481 | Top | Q | 6 | chip cap X5R | 1U K 6V3 | 0603 |
| C302 | 2320125 | Top | C | 3 | chip cap X5R | 1UK 16V | 0603 |
| C303 | 2320805 | Top | C | 3 | chip cap X5R | 100N K 10V | 0402 |
| C304 | 2320805 | Top | C | 3 | chip cap X5R | 100N K 10V | 0402 |
| C307 | 2320778 | Top | T | 3 | chip cap X7R | 10N K 16V | 0402 |
| C311 | 2320125 | Top | L | 5 | chip cap X5R | 1UK 16V | 0603 |
| C312 | 2320125 | Top | M | 5 | chip cap X5R | 1UK 16V | 0603 |
| C313 | 2320125 | Top | L | 6 | chip cap X5R | 1UK 16V | 0603 |
| C315 | 2320544 | Top | B | 8 | chip cap NPO | 22P J 50V | 0402 |
| C320 | 2320125 | Top | L | 6 | chip cap X5R | 1UK 16V | 0603 |
| C321 | 2320546 | Top | O | 6 | chip cap NPO | 27P J 50V | 0402 |
| C400 | 2320778 | Top | Q | 3 | chip cap X7R | 10N K 16V | 0402 |
| C401 | 2320805 | Top | Q | 4 | chip cap X5R | 100N K 10V | 0402 |
| C402 | 2320778 | Top | O | 5 | chip cap X7R | 10N K 16V | 0402 |
| C403 | 2320778 | Top | O | 5 | chip cap X7R | 10N K 16V | 0402 |
| C404 | 2320778 | Top | P | 5 | chip cap X7R | 10N K 16V | 0402 |
| C405 | 2320778 | Top | O | 5 | chip cap X7R | 10N K 16V | 0402 |
| C420 | 2320744 | Top | M | 4 | chip cap X7R | 1N0 K 50V | 0402 |
| C450 | 2320778 | Top | M | 5 | chip cap X7R | 10N K 16V | 0402 |
| C451 | 2320805 | Top | M | 5 | chip cap X5R | 100N K 10V | 0402 |

| Item | Code | Side | X | Y | Description | Value | Type |
|------|---------|------|---|---|--------------|------------|------|
| C454 | 2320779 | Top | O | 5 | chip cap X7R | 100N K 16V | 0603 |
| C700 | 2320552 | Top | G | 6 | chip cap NPO | 47P J 50V | 0402 |
| C701 | 2320536 | Top | G | 6 | chip cap NPO | 10P J 50V | 0402 |
| C702 | 2320805 | Top | F | 6 | chip cap X5R | 100N K 10V | 0402 |
| C703 | 2320536 | Top | G | 6 | chip cap NPO | 10P J 50V | 0402 |
| C704 | 2320805 | Top | G | 6 | chip cap X5R | 100N K 10V | 0402 |
| C706 | 2320552 | Top | I | 7 | chip cap NPO | 47P J 50V | 0402 |
| C707 | 2320744 | Top | I | 7 | chip cap X7R | 1N0 K 50V | 0402 |
| C708 | 2320481 | Top | I | 7 | chip cap X5R | 1U K 6V3 | 0603 |
| C710 | 2320740 | Top | H | 8 | chip cap X7R | 680P K 50V | 0402 |
| C711 | 2320481 | Top | H | 7 | chip cap X5R | 1U K 6V3 | 0603 |
| C712 | 2320552 | Top | I | 7 | chip cap NPO | 47P J 50V | 0402 |
| C720 | 2320588 | Top | I | 8 | chip cap X7R | 1N5 J 50V | 0402 |
| C721 | 2320783 | Top | I | 8 | chip cap X7R | 33N K 10V | 0402 |
| C722 | 2320588 | Top | J | 8 | chip cap X7R | 1N5 J 50V | 0402 |
| C723 | 2320522 | Top | J | 8 | chip cap NPO | 2P7 C 50V | 0402 |
| C724 | 2320548 | Top | J | 7 | chip cap NPO | 33P J 50V | 0402 |
| C725 | 2320520 | Top | J | 8 | chip cap NPO | 2P2 C 50V | 0402 |
| C726 | 2320744 | Top | J | 8 | chip cap X7R | 1N0 K 50V | 0402 |
| C740 | 2320590 | Top | I | 9 | chip cap X7R | 1N8 J 50V | 0402 |
| C741 | 2320783 | Top | I | 9 | chip cap X7R | 33N K 10V | 0402 |
| C742 | 2320588 | Top | I | 9 | chip cap X7R | 1N5 J 50V | 0402 |
| C745 | 2320548 | Top | H | 8 | chip cap NPO | 33P J 50V | 0402 |
| C747 | 2320536 | Top | H | 9 | chip cap NPO | 10P J 50V | 0402 |
| C748 | 2320538 | Top | H | 9 | chip cap NPO | 12P J 50V | 0402 |
| C749 | 2320744 | Top | H | 8 | chip cap X7R | 1N0 K 50V | 0402 |
| C750 | 2320514 | Top | G | 8 | chip cap NPO | 1P2 C 50V | 0402 |
| C751 | 2320520 | Top | H | 8 | chip cap NPO | 2P2 C 50V | 0402 |
| C752 | 2320740 | Top | G | 9 | chip cap X7R | 680P K 50V | 0402 |
| C753 | 2320481 | Top | G | 9 | chip cap X5R | 1U K 6V3 | 0603 |
| C770 | 2320580 | Top | K | 5 | chip cap X7R | 680P J 50V | 0402 |
| C771 | 2480003 | Top | K | 4 | chip cap PPS | 8N2 J 16V | 0805 |

| Item | Code | Side | X | Y | Description | Value | Type |
|------|---------|------|---|---|--------------|------------|------|
| C772 | 2320495 | Top | K | 5 | chip cap NPO | 1N0 J 50V | 0603 |
| C773 | 2320466 | Top | K | 5 | chip cap NPO | 220P J 50V | 0603 |
| C774 | 2320536 | Top | I | 5 | chip cap NPO | 10P J 50V | 0402 |
| C775 | 2320481 | Top | I | 5 | chip cap X5R | 1U K 6V3 | 0603 |
| C776 | 2320778 | Top | I | 6 | chip cap X7R | 10N K 16V | 0402 |
| C791 | 2320805 | Top | K | 7 | chip cap X5R | 100N K 10V | 0402 |
| C792 | 2320778 | Top | K | 7 | chip cap X7R | 10N K 16V | 0402 |
| C793 | 2320481 | Top | J | 7 | chip cap X5R | 1U K 6V3 | 0603 |
| C801 | 2320552 | Top | H | 5 | chip cap NPO | 47P J 50V | 0402 |
| C802 | 2320778 | Top | H | 5 | chip cap X7R | 10N K 16V | 0402 |
| C803 | 2320536 | Top | H | 5 | chip cap NPO | 10P J 50V | 0402 |
| C806 | 2320552 | Top | I | 7 | chip cap NPO | 47P J 50V | 0402 |
| C807 | 2320536 | Top | I | 7 | chip cap NPO | 10P J 50V | 0402 |
| C808 | 2320805 | Top | I | 7 | chip cap X5R | 100N K 10V | 0402 |
| C820 | 2320552 | Top | H | 5 | chip cap NPO | 47P J 50V | 0402 |
| C821 | 2320552 | Top | I | 6 | chip cap NPO | 47P J 50V | 0402 |
| C822 | 2320805 | Top | I | 6 | chip cap X5R | 100N K 10V | 0402 |
| C830 | 2320778 | Top | K | 6 | chip cap X7R | 10N K 16V | 0402 |
| C831 | 2320602 | Top | K | 6 | chip cap NPO | 4P7 C 50V | 0402 |
| C832 | 2320602 | Top | K | 6 | chip cap NPO | 4P7 C 50V | 0402 |
| C833 | 2320536 | Top | I | 6 | chip cap NPO | 10P J 50V | 0402 |
| C834 | 2320536 | Top | I | 6 | chip cap NPO | 10P J 50V | 0402 |
| C850 | 2320536 | Top | C | 8 | chip cap NPO | 10P J 50V | 0402 |
| C851 | 2320536 | Top | C | 9 | chip cap NPO | 10P J 50V | 0402 |
| C853 | 2320546 | Top | D | 8 | chip cap NPO | 27P J 50V | 0402 |
| C854 | 2320546 | Top | C | 9 | chip cap NPO | 27P J 50V | 0402 |
| C855 | 2320508 | Top | D | 8 | chip cap NPO | 1P0 C 50V | 0402 |
| C857 | 2320536 | Top | D | 9 | chip cap NPO | 10P J 50V | 0402 |
| C858 | 2320584 | Top | C | 9 | chip cap X7R | 1N0 J 50V | 0402 |
| C859 | 2320536 | Top | I | 6 | chip cap NPO | 10P J 50V | 0402 |
| C900 | 2320744 | Top | G | 6 | chip cap X7R | 1N0 K 50V | 0402 |
| C901 | 2320631 | Top | J | 2 | chip cap NPO | 180P J 25V | 0402 |

| Item | Code | Side | X | Y | Description | Value | Type |
|------|---------|------|---|---|-------------------|---------------|------|
| C902 | 2320744 | Top | F | 2 | chip cap X7R | 1N0 K 50V | 0402 |
| C903 | 2320631 | Top | F | 2 | chip cap NPO | 180P J 25V | 0402 |
| C904 | 2320005 | Top | J | 2 | chip cap NPO HQ | 82P J 25V | 0603 |
| C905 | 2320546 | Top | J | 2 | chip cap NPO | 27P J 50V | 0402 |
| C906 | 2320546 | Top | J | 2 | chip cap NPO | 27P J 50V | 0402 |
| C907 | 2320536 | Top | I | 3 | chip cap NPO | 10P J 50V | 0402 |
| C908 | 2320744 | Top | I | 3 | chip cap X7R | 1N0 K 50V | 0402 |
| C910 | 2320744 | Top | F | 3 | chip cap X7R | 1N0 K 50V | 0402 |
| C912 | 2320481 | Top | F | 3 | chip cap X5R | 1U K 6V3 | 0603 |
| C913 | 2320560 | Top | H | 4 | chip cap X7R | 680P J 50V | 0402 |
| C914 | 2320481 | Top | I | 3 | chip cap X5R | 1U K 6V3 | 0603 |
| C915 | 2320536 | Top | G | 7 | chip cap NPO | 10P J 50V | 0402 |
| C916 | 2320805 | Top | G | 7 | chip cap X5R | 100N K 10V | 0402 |
| C918 | 2320744 | Top | K | 3 | chip cap X7R | 1N0 K 50V | 0402 |
| C919 | 2320635 | Top | F | 4 | chip cap NPO | 0P5 C 50V | 0402 |
| C921 | 2320744 | Top | J | 3 | chip cap X7R | 1N0 K 50V | 0402 |
| C930 | 2320536 | Top | E | 5 | chip cap NPO | 10P J 50V | 0402 |
| C931 | 2320744 | Top | E | 4 | chip cap X7R | 1N0 K 50V | 0402 |
| C960 | 2320508 | Top | G | 7 | chip cap NPO | 1P0 C 50V | 0402 |
| C961 | 2320522 | Top | G | 7 | chip cap NPO | 2P7 C 50V | 0402 |
| C962 | 2320536 | Top | E | 7 | chip cap NPO | 10P J 50V | 0402 |
| C963 | 2320536 | Top | E | 8 | chip cap NPO | 10P J 50V | 0402 |
| C965 | 2320508 | Top | E | 8 | chip cap NPO | 1P0 C 50V | 0402 |
| C966 | 2320536 | Top | E | 8 | chip cap NPO | 10P J 50V | 0402 |
| C967 | 2320536 | Top | E | 7 | chip cap NPO | 10P J 50V | 0402 |
| C968 | 2320778 | Top | E | 7 | chip cap X7R | 10N K 16V | 0402 |
| C969 | 2320536 | Top | E | 7 | chip cap NPO | 10P J 50V | 0402 |
| C970 | 2320540 | Top | H | 4 | chip cap NPO | 15P J 50V | 0402 |
| C971 | 2320536 | Top | G | 7 | chip cap NPO | 10P J 50V | 0402 |
| C972 | 2320805 | Top | H | 7 | chip cap X5R | 100N K 10V | 0402 |
| L100 | 3203743 | Top | T | 7 | ferrite bead OR03 | 42R/100MHz 3A | 0805 |
| L151 | 3203741 | Top | U | 4 | ferrite bead OR5 | 600R/100MHz | 0603 |

| Item | Code | Side | X | Y | Description | Value | Type |
|------|---------|------|---|---|------------------------|--------------------------|------|
| L152 | 3203741 | Top | U | 5 | ferrite bead 0R5 | 600R/100MHz | 0603 |
| L153 | 3203741 | Top | U | 6 | ferrite bead 0R5 | 600R/100MHz | 0603 |
| L158 | 3203741 | Top | U | 5 | ferrite bead 0R5 | 600R/100MHz | 0603 |
| L159 | 3203741 | Top | U | 6 | ferrite bead 0R5 | 600R/100MHz | 0603 |
| L180 | 3203743 | Top | Q | 5 | ferrite bead 0R03 | 42R/100MHz 3A | 0805 |
| L181 | 3203743 | Top | Q | 5 | ferrite bead 0R03 | 42R/100MHz 3A | 0805 |
| L730 | 3645333 | Top | I | 8 | chip coil 27N G | Q40/250MHz | 0603 |
| L746 | 3645331 | Top | H | 9 | chip coil 47N G | Q38/200MHz | 0603 |
| L750 | 3645145 | Top | G | 8 | chip coil 39N J | Q12/100MHz | 0603 |
| L751 | 3645145 | Top | G | 8 | chip coil 39N J | Q12/100MHz | 0603 |
| L820 | 3645211 | Top | I | 5 | chip coil 6N8 K | Q27/250MHz | 0603 |
| L821 | 3646069 | Top | H | 5 | chip coil 33N J | Q23/800MHz | 0402 |
| L822 | 3646063 | Top | H | 5 | chip coil 22N J | Q28/800MHz | 0402 |
| L823 | 3646007 | Top | G | 5 | chip coil 27N J | Q27/800MHz | 0402 |
| L830 | 3643087 | Top | K | 6 | chip coil 180N J | Q13/50MHz | 0805 |
| L831 | 3643087 | Top | K | 7 | chip coil 180N J | Q13/50MHz | 0805 |
| L832 | 3645067 | Top | I | 6 | chip coil 330N J | Q48/250MHz | 0805 |
| L851 | 3646059 | Top | C | 8 | chip coil 5N6 +-0N3 | Q28/800MHz | 0402 |
| L852 | 3646051 | Top | D | 9 | chip coil 3N9 +-0N3 | Q28/800MHz | 0402 |
| L900 | 3646065 | Top | J | 4 | chip coil 12N J | Q31/800MHz | 0402 |
| L901 | 3646083 | Top | J | 2 | chip coil 100N J | Q16/300MHz | 0402 |
| L902 | 3646061 | Top | I | 3 | chip coil 15N J | Q30/800MHz | 0402 |
| L903 | 3643085 | Top | H | 3 | chip coil 5N6 +-0N5 | Q35 1.5A | 0805 |
| L960 | 3646075 | Top | F | 8 | chip coil 56N J | Q21/800MHz | 0402 |
| L961 | 3646075 | Top | G | 8 | chip coil 56N J | Q21/800MHz | 0402 |
| L962 | 3646083 | Top | F | 7 | chip coil 100N J | Q16/300MHz | 0402 |
| L963 | 3646083 | Top | G | 7 | chip coil 100N J | Q16/300MHz | 0402 |
| Z101 | 3640085 | Top | S | 6 | filt 470NF | 16V 0R03 2A | 0805 |
| Z820 | 4511217 | Top | H | 5 | Saw Filt | 881.5+- 12.5MHz/3.5DB | 3X3 |

| Item | Code | Side | X | Y | Description | Value | Type |
|------|---------|------|---|---|------------------------|--------------------------------|------------|
| Z830 | 4511209 | Top | J | 7 | Saw Filt | 135.54+- 0.013MHz/ 5.3DB | |
| Z850 | 4511267 | Top | G | 5 | Saw Filt | 1960+-30MHz/ 4.5DB | 3X3X1 |
| Z905 | 4511151 | Top | I | 2 | Saw Filt | 824-849MHz/ 3.8DB | 3X3 |
| Z906 | 4512143 | Top | E | 3 | Dupl | 824-849/ 869-894MHz | 9.5X7.5 |
| Z907 | 4550141 | Top | B | 4 | Dipl | 824-894/ 1850-1990MHz | 3.2X1.6 |
| Z960 | 4511259 | Top | G | 8 | Saw Filt | 181.8+- 0.015MHz | 3.8X3.8 |
| Z961 | 4511203 | Top | E | 7 | Saw Filt | 1880+-30MHz/ 5.0DB | 3X3X1 |
| Z962 | 4512147 | Top | C | 6 | Dupl | 1850-1910/ 1930-1990MHz | 17X10 |
| V100 | 4113721 | Top | S | 6 | TVS DI 1PMT16AT3 | 16V 175W | PWRMITE |
| V301 | 4860417 | Top | L | 7 | LED CL400S-WDH | >371MCD | INGAN TBSF |
| V302 | 4860417 | Top | L | 4 | LED CL400S-WDH | >371MCD | INGAN TBSF |
| V308 | 4860425 | Top | T | 6 | LED CL400S-WAL | >265MCD | INGAN TBSF |
| V309 | 4860425 | Top | T | 4 | LED CL400S-WAL | >265MCD | INGAN TBSF |
| V318 | 4113669 | Top | T | 3 | ZDIX4 TVS/ESD | RSA6.1EN 6V1 | SOT353 |
| V319 | 4210221 | Top | O | 5 | TR MMBT6589 P | 30V 1A LOWSAT | TSOP6 |
| V725 | 4110953 | Top | J | 8 | cap di 1SV280 | C2V/C10V=2.4 | SOD523 |
| V744 | 4110911 | Top | H | 8 | cap di MA2SV01 | 15/7PF 1/3V | SOD523 |
| V850 | 4210287 | Top | C | 8 | TR NE661M05 N | LNA 2GHz 3V3 | SOT343 |
| N180 | 4341221 | Top | P | 5 | AF AMP 0.4W/ 2.6V | (LM4890) | USMD9 |
| N300 | 4210371 | Top | N | 5 | TRX2 UMF28N | N&P 50V 0.1A | SOT363 |
| N750 | 4210247 | Top | H | 8 | RF CASCODE AMP | BGA416 LNA | SOT143 |
| N801 | 4370777 | Top | H | 6 | Safari_T2 A807HEGT | BICMOS6M | LFPGA |
| N900 | 4341179 | Top | J | 3 | UPCONV 900MHz | (OM5968) | TSSOP10 |
| N901 | 4350311 | Top | G | 3 | PW AMP RF9200 | TDMA | 800MHz |
| N930 | 4350267 | Top | E | 5 | PWR Detector Module | 800/1900MHz | |

| Item | Code | Side | X | Y | Description | Value | Type |
|------|---------|------|---|---|--------------------|-----------------|----------|
| N960 | 4350309 | Top | E | 6 | PW AMP RF9201 | TDMA | 1900MHz |
| D200 | 4370825 | Top | O | 7 | UEMK W-DOG | ENA T021 | TFBGA168 |
| D320 | 4341425 | Top | M | 5 | White LED Driver | (LM2795BLX) | USMD14 |
| D400 | 4370873 | Top | P | 3 | UPP8M V2.2 | F751986B C035 | UBGA144 |
| D450 | 4341529 | Top | M | 3 | Flash 4MX16 | 1.8/1.8V | TBGA48 |
| G780 | 4350279 | Top | J | 5 | VCO 2GHz | 2.78V 10.5MA | TDMA |
| G790 | 4510307 | Top | K | 8 | VCTCXO 19.44MHz | +/-2.5PPM 2.78V | |
| B200 | 4510219 | Top | Q | 8 | Crystal 32.768KHz | +/-30PPM | 9PF |
| T775 | 4550153 | Top | I | 4 | Transf Balun | 2060+/-70MHz | 2.0X1.25 |
| T960 | 4550173 | Top | E | 8 | Transf Balun | 1920+/-70MHz | 2X1.25 |
| F100 | 5119019 | Top | U | 6 | Sm Fuse F | 1.5A 32V | 0603 |
| X900 | 5429021 | Top | C | 3 | Sm Conn RF+SW | 100V 1W 50R | 2.2GHz |
| A100 | 9517229 | Top | O | 5 | BB Shield Assy | DMC05660 | HDDC2 |
| A900 | 9517245 | Top | H | 6 | RF Shield Assy | DMC05865 | Cobra |

